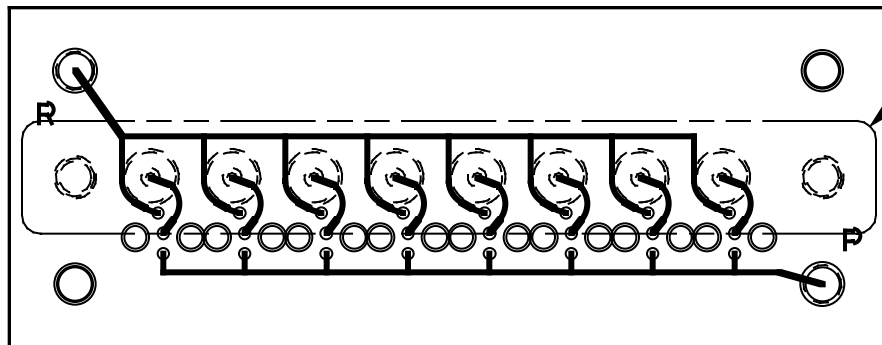
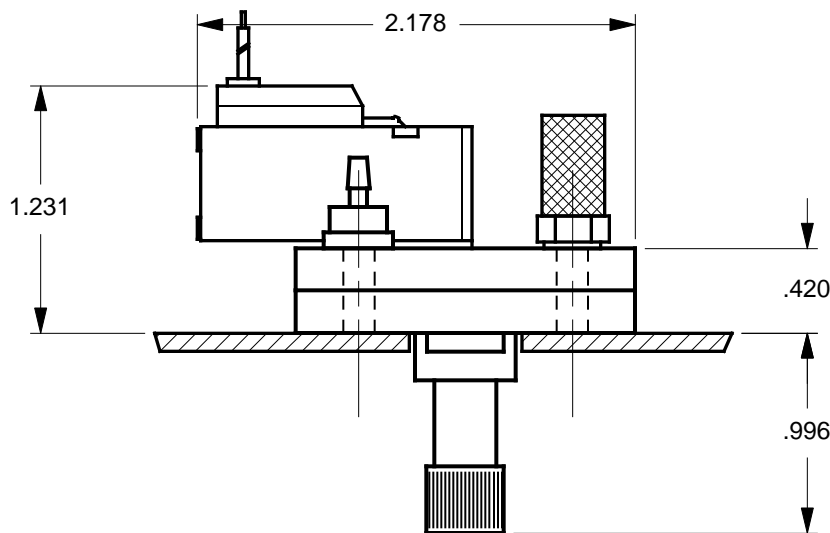
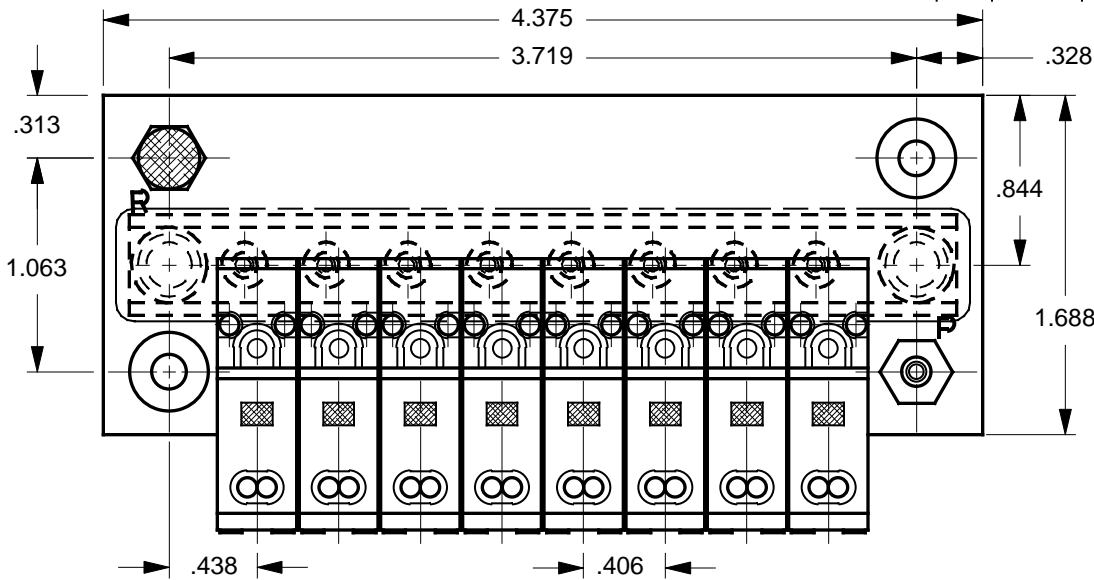


# MODEL: HUM / HA010 - SGL.XX - BOT.QD

WHERE "XX" DESIGNATES THE NUMBER OF VALVE STATIONS

REV		CN #		REVISION CHANGE		DATE	
X1	N/A			DRAWN			29 DEC 99



### MODEL FEATURES:

- ACCOMMODATES HUMPHREY™ TYPE H010 VALVES.
- SPECIFY FROM 3 TO 12 VALVES. ADD OR SUBTRACT .406" (10.3 MM) OF MANIFOLD LENGTH PER VALVE.
- BOTTOM PORTED FOR BEHIND PANEL OR IN-BOX MOUNTING.
- USES EXCLUSIVE MULTIPLE TUBING QUICK-DISCONNECT ASSEMBLY (SOLD SEPARATELY), WHICH INSTALLS OR REMOVES QUICKLY WITH 2 THUMBSCREWS.
- VALVES ARE MOUNTED VIA EXCLUSIVE 'NO-STRESS' BONDED-IN BRASS INSERTS, M2 X .4 THD.
- THREADED EXHAUST "R" AND PRESSURE "P" PORTS ARE TOP PORTED.
- INTERNAL CHANNELS ARE .063" DIAMETER, BRILLIANTLY POLISHED AND WITHSTAND PRESSURE OVER 125 P.S.I.

### PANEL CUT-OUT REQD:

.563 H x 4.250 W RECOMMENDED FOR 8 VALVE MANIFOLD. FOR OTHER MANIFOLDS, ADD OR SUBTRACT .406" (10.3 MM) OF LENGTH PER VALVE.

### NOTES:

1. MANIFOLDS ARE SUPPLIED WITHOUT ANY HARDWARE OR VALVES. THE COMPONENTS SHOWN ARE FOR ILLUSTRATION PURPOSES ONLY.
2. ALL PORTS (EXCEPT QUICK-DISCONNECT) ARE THREADED #10-32 UNF - 2B. M5.0 THREADS ARE AVAILABLE ON SPECIAL REQUEST.
3. MOUNTING HOLES ARE .156 DIAMETER FOR #6 SCREWS. USE OF .375 DIAMETER X .040 THICK (MIN) NYLON WASHERS UNDER THE MOUNTING SCREW HEADS ARE HIGHLY RECOMMENDED.
4. MANIFOLD MATERIAL IS POLISHED ACRYLIC. CLEAR (BLUISH TINT) P.V.C. IS ALSO AVAILABLE ON SPECIAL ORDER AT INCREASED PRICE.
5. SPECIFICATIONS SUBJECT TO CHANGE WITHOUT NOTICE.

THIS DRAWING AND/OR SPECIFICATION IS THE PROPERTY OF MICROADVANCES, IS ISSUED IN STRICT CONFIDENCE, AND SHALL NOT BE REPRODUCED, COPIED, OR USED AS THE BASIS FOR THE MANUFACTURE OR SALE OF APPARATUS OR COMPONENT PARTS THEREOF WITHOUT PRIOR WRITTEN PERMISSION.

## MicroAdvances

6073 N.W. 167th STREET, BLDG. C-21  
MIAMI, FL. USA 33015 • (305) 556-4801

NAME: HUM / HA010 - SGL.08 - BOT.QD  
PART/DWG NO: 600264 REV: A  
ASSEMBLY: N/A  
DWN BY: J.W. DATE: 28 DEC 99  
DESIGNED BY: XX  
REF: **HUM - HA010**

HUMPHREY PRODUCTS, Kalamazoo, MI 49003

SCALE: 1 : 1 @ 7.9 X 10.4 SHEET: 1 OF 1